



CB Electronics

RM-6-K Serial Remotes/Synchronizer

SSL 4K version

CB Electronics

Loddonside, Lands End House, Beggars Hill Road, Charvil, Berks RG10 0UD, UK

Tel: +44 (0)118 9320345, Fax: +44 (0)118 9320346

URL: www.colinbroad.com

E-mail: support@colinbroad.com

CB ELECTRONICS

Loddonside, Lands End House, Beggars Hill Road, Charvil, Berks RG10 0UD, UK
 Tel: +44 (0)118 9320345, Fax: +44 (0)118 9320346, www.colinbroad.com

'RM-6-4K' OEM Serial Remote/Synchronizer SSL 4K Version

- * SSL S29 Port Parallel Remote with tallies
- * SSL S88 Port SSL 4000 Interface
- * Six Serial Ports 4 Output, 1 Output/Input, 1 Input/Keyboard
- * Record and Record Track Arming Available on all serial outputs
- * RS422 Input For use with Consoles, DAW or Video Editors
- * GPI Input/Output 6 CMOS inputs, 6 TTL outputs
- * Timecode Output Follows the master position and Offset
- * Play Speed Timecode Output Suitable for Automation
- * Timecode Input All outputs will chase remote code
- * Built in P2 Synchroniser Will synchronise any suitable 9-pin Machine
- * Real or Virtual Master Perfect Machine as Master, Tapeless Master
- * 1U Rack Mount Mounts the SSL Computer Rack
- * Optional Remote Panel Track Arming & Jog/Shuttle

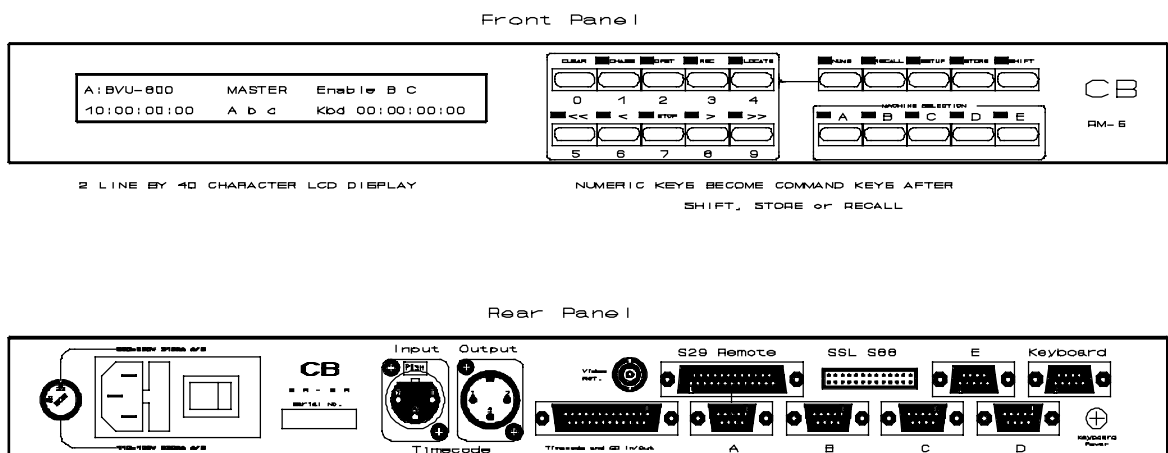
Output Protocols

- * Sony P2 protocol DAT's, VTR's, DA-88, ..
- * Plug and Play Sony P2 Auto recognition and Configuration
- * ES BUS protocol Studer D820/D827, AK ES 1.11
- * Studer TLS4000 protocol Studer Analog Tape Recorders
- * Ampex Protocol VPR-3, VPR-80, Timeline Lynx
- * Midi Protocol Tascam MX2424

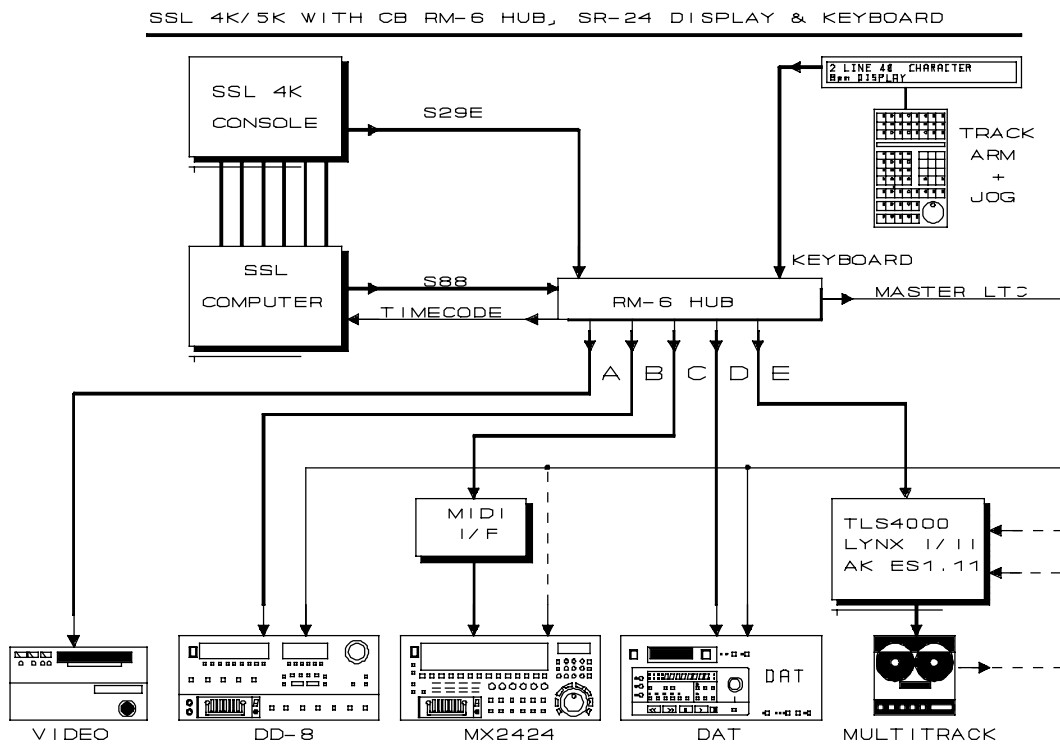
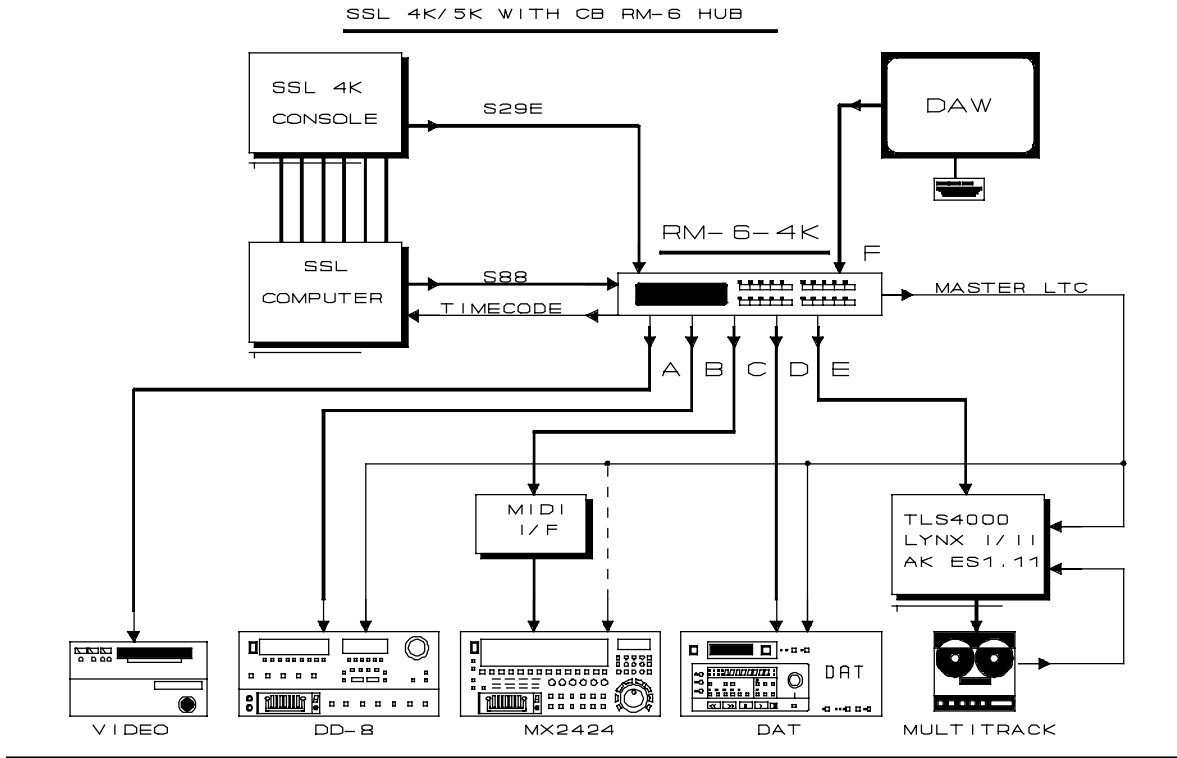
The RM-6-4K Synchroniser is designed to operate the SSL 4K and 5K computer in place of the Z8 and Adams Smith Synchroniser/Motionworker. The RM-6 is compatible with other CB Electronics systems and provides a solution that may be expanded at a later date.

The RM Serial remote/Synchronizers use experience gained from both the SR and MR series remote control system. Designed for use with the SSL 4K and 5K consoles the RM-6-4K connects to the SSL S88 and S29E ports to control up to 5 serial ports. The serial input port may be used with a DAW to expand a single 9 pin port to up to five serial machines. The various serial protocol options also allow the RM Synchronizer unit to act as a serial protocol converter.

Track arming is available via the keyboard port, any standard CB Remote panel may be used to provide track arming, transport remote, jog/shuttle ... Alternatively a 32 track parallel to serial converter is available to special order. Port E can be configured as an Input or Output port.



Typical Installation



Note. All units will require video syncs.

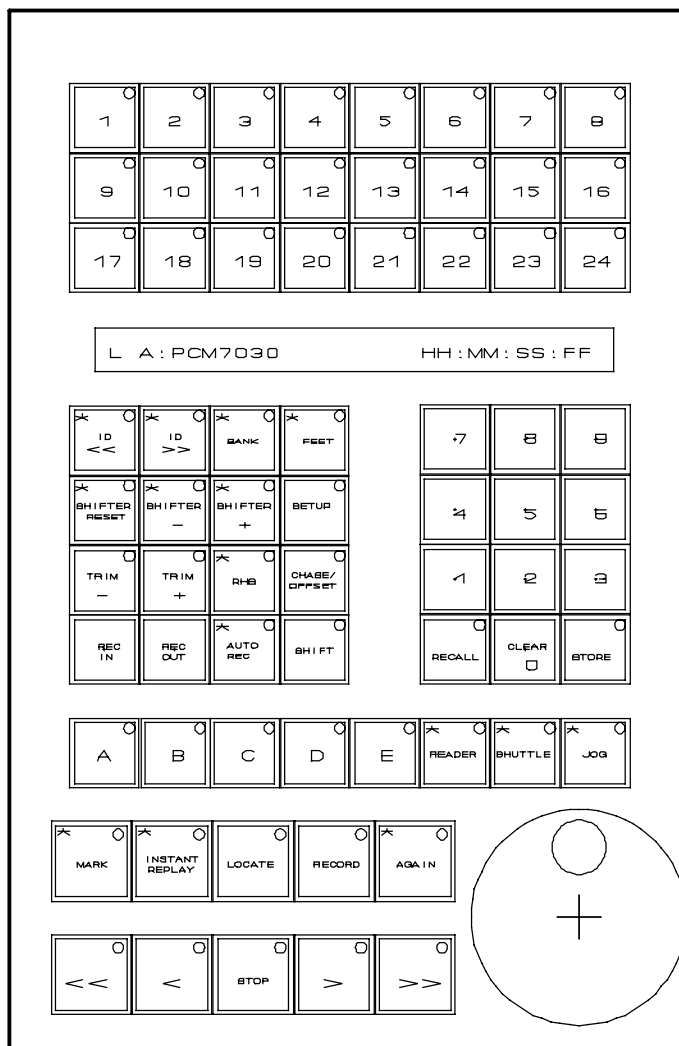
SR-24 Remote Panel to fit SSL \$K Console

Note: when remote panel used the RM-6 is supplied with a blank front panel.

SR5 Display

```
C:SONY 7030      Master      Rec In 10:18:15:00
HH:MM:SS:FF     Loop 001     Rec Out 10:22:27:12
```

SR-24 Keyboard



* = Macro Key

245\ mm × 160mm

CB ELECTRONICS
LODDONSIDE, LANDS END HOUSE, BRIZZARS